

PRODUCT TECHNICAL SHEET

Collection : **RETRO**

Ref. : **6220.11.07**

Porte-serviette

Handdoekdrager

Towel holder

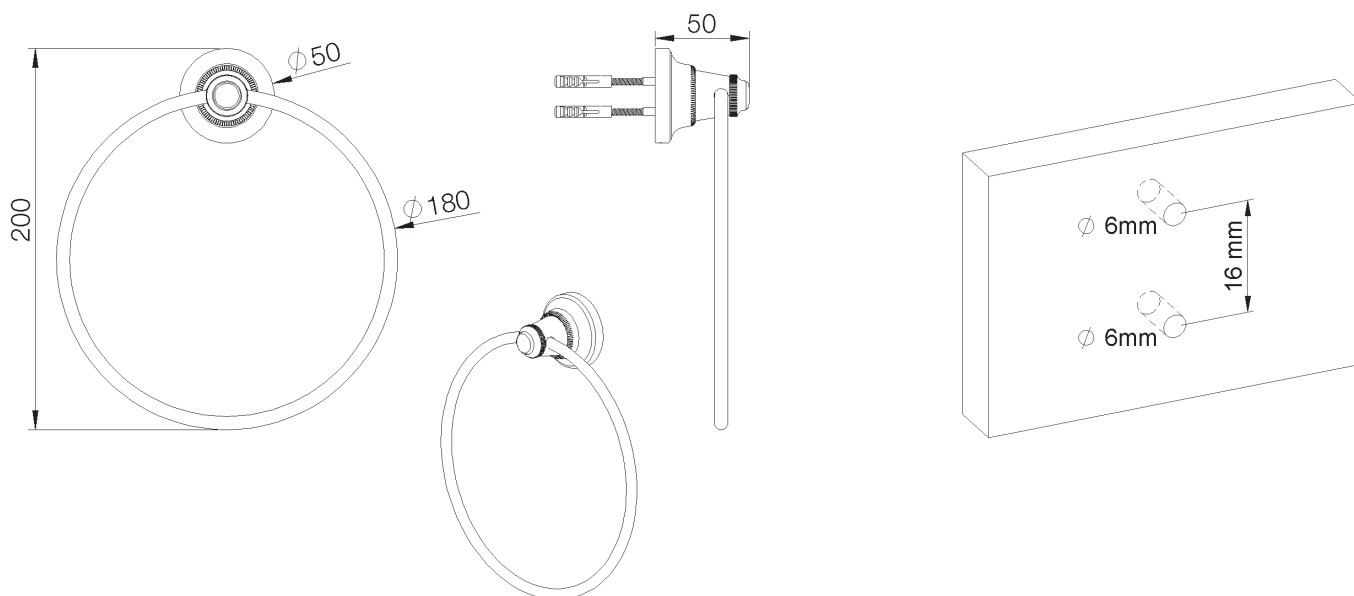
Picture

Product details

Weight : 0,74 kg



Technical drawing



RAO.V01